



囊式、隔膜式、活塞式蓄能器 及其配套附件备件

aerospace
climate control
electromechanical
filtration
fluid & gas handling
hydraulics
pneumatics
process control
sealing & shielding

2019年8月1日生效



ENGINEERING YOUR SUCCESS.

DA 隔膜式蓄能器基本信息

通过增加隔膜式蓄能器来吸收液压冲击可以显著地提高驾驶舒适性，并在驶过障碍物时瞬时响应吸收冲击。在如下驾驶条件下，隔膜式蓄能器也同样具备适应性。

隔膜蓄能器广泛应用于工程机械，风力发电，化工设备，农业机械等领域

DA焊接隔膜式蓄能器按照结构型式分为可重复充气式和不可重复充气式。

可重复充气的蓄能器，其结构见形式F。

不可重复充气蓄能器，出厂充气并密封，其结构见形式G。

DA焊接隔膜式蓄能器的材料、设计、制造、性能遵从国标20663规定

技术参数如下：

最低/最高工作温度 (°C)：

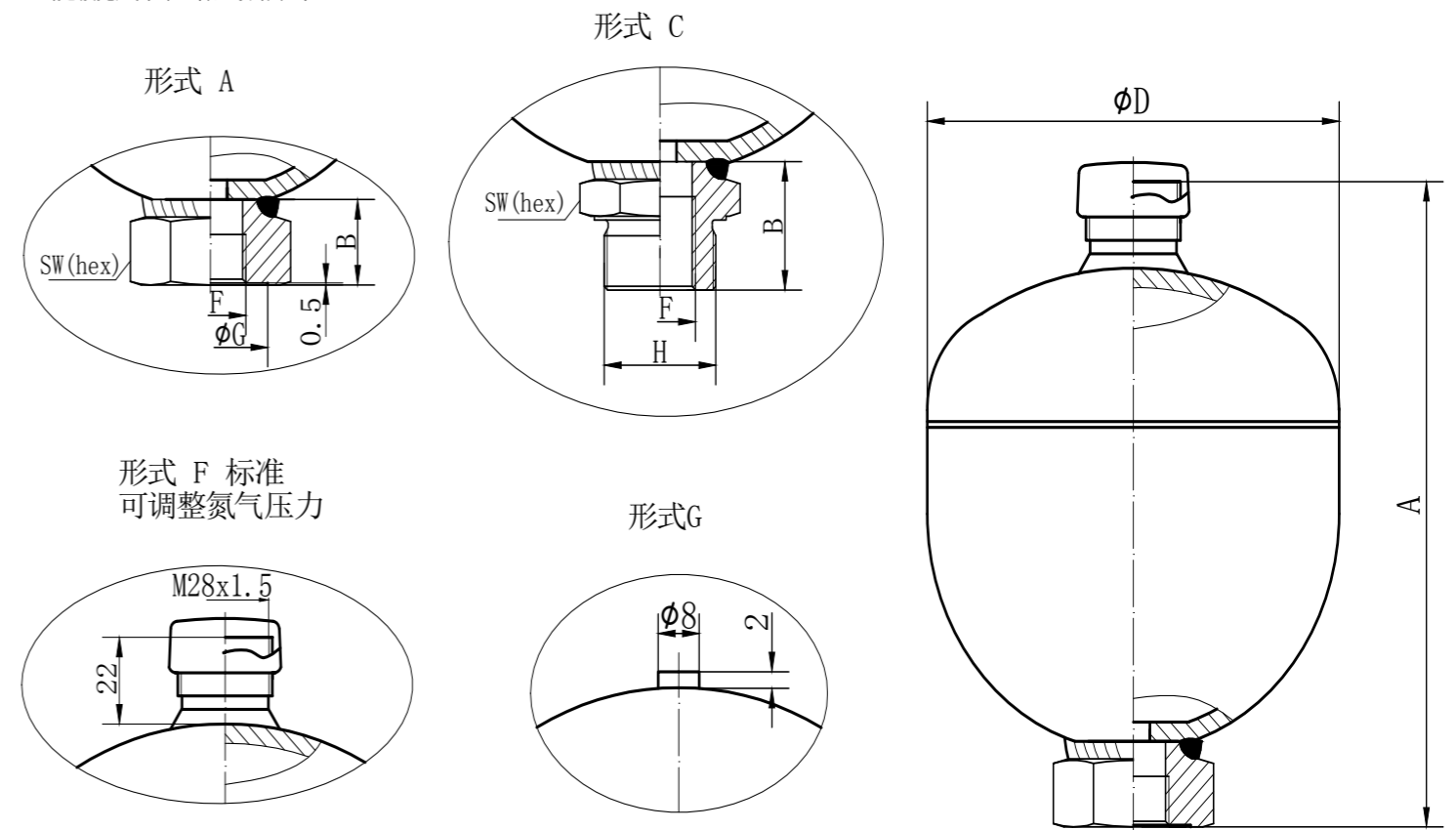
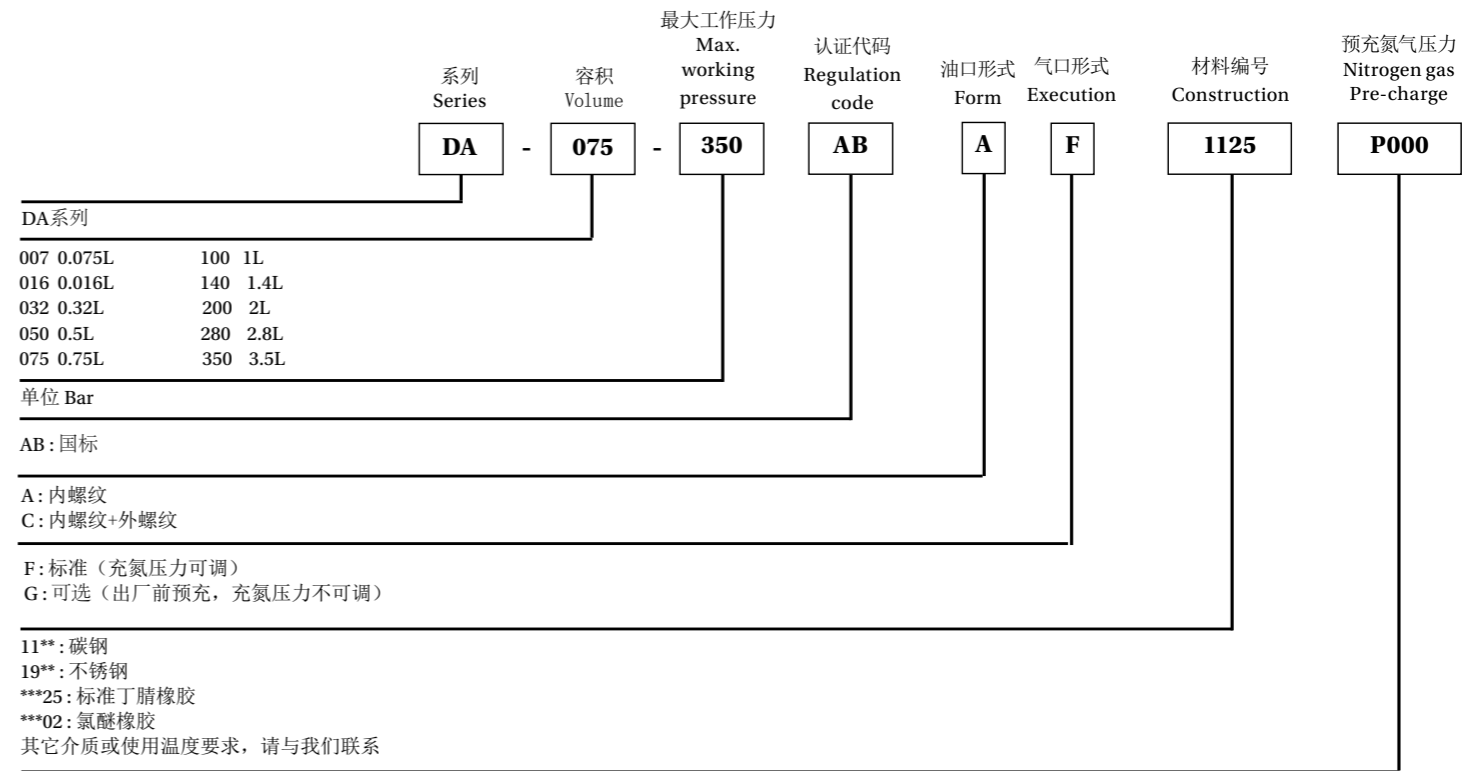
标准丁腈橡胶产品：-20/+80

氯醚橡胶产品：-40/+120

材质：碳钢或不锈钢外壳，丁腈橡胶或氯醚橡胶隔膜

其它材质：请予我们联系

DA 系列: 如何订购隔膜式蓄能器



DA系列140-350BAR, 0.075至1.4Litres

标准型（碳钢外壳/丁腈橡胶隔膜），适用于矿物质液压油，工作温度范围：-20°C至80°C，
 低温型（碳钢外壳/氯醚橡胶隔膜），适用于矿物质液压油，工作温度范围：-40°C至120°C

Type	Effective Gas vol. Litres	Max. Working pressure (PS) bar	Clamps		Type	Effective Gas vol. Litres	Max. Working pressure (PS) bar	Execution form	Max compression in bar ratio P2/P0	Weight kg	Dimensions in mm					Oilport		Lock Nut type
			Model (quantity)								A max Height	B	SW	D	G	F	H	
			Part number															
DA-007-250ABAF	0.075	250	-	-	DA-007-250ABAF	0.075	250	AF	8	0.8	110.5	20	32	66	29	G½	-	-
DA-016-250ABAF	0.16	250	-	-	DA-016-250ABAF	0.16	250	AF	6	1	123.5	20	32	76	29	G½	-	-
DA-032-210ABAF	0.32	210	E95 (1) 20250803648	-	DA-032-210ABAF	0.32	210	AF	8	1.5	139	20	32	95	29	G½	-	-
DA-050-210ABAF	0.5	210	E106 (1) 20250903648	-	DA-050-210ABAF	0.5	210	AF	8	2.65	152.5	22	41	103	34	G½	-	-
DA-050-210ABCF	0.5	210	E106 (1) 20250903648	-	DA-050-210ABCF	0.5	210	CF	8	2.65	165.5	35	41	103	-	G½	M33x1.5	M33
DA-075-210ABAF	0.75	210	E114 (1) 20251003648	-	DA-075-210ABAF	0.75	210	AF	8	3.6	176.1	22	41	122	34	G½	-	-
DA-075-210ABCF	0.75	210	E114 (1) 20251003648	-	DA-075-210ABCF	0.75	210	CF	8	3.7	189.1	35	41	122	-	G½	M33x1.5	M33
DA-075-350ABAF	0.75	350	-	-	DA-075-350ABAF	0.75	350	AF	8	4.1	180.1	22	41	126	34	G½	-	-
DA-075-350ABCF	0.75	350	-	-	DA-075-350ABCF	0.75	350	CF	8	4.15	193.1	35	41	126	-	G½	M33x1.5	M33
DA-100-210ABAF	1	210	E136 (1) 20251103648	-	DA-100-210ABAF	1	210	AF	8	4	179	22	41	136	34	G½	-	-
DA-100-210ABCF	1	210	E136 (1) 20251103648	-	DA-100-210ABCF	1	210	CF	8	4.1	192	35	41	136	-	G½	M33x1.5	M33
DA-140-210ABAF	1.4	210	E155 (1) 20251203648	-	DA-140-210ABAF	1.4	210	AF	8	6.3	207.1	22	41	152	34	G½	-	-
DA-140-210ABCF	1.4	210	E155 (1) 20251203648	-	DA-140-210ABCF	1.4	210	CF	8	6.4	220.1	35	41	152	-	G½	M33x1.5	M33
DA-140-330ABAF	1.4	330	E160 (1) 20259003648	-	DA-140-330ABAF	1.4	330	AF	8	8.5	213.1	22	41	158	34	G½	-	-

以上尺寸单位 mm，未考虑制造公差。

DA系列100-350 BAR, 1.4至3.5 Litres

标准型（碳钢外壳/丁腈橡胶隔膜），适用于矿物质液压油，工作温度范围：-20°C至80°C，
 低温型（碳钢外壳/氯醚橡胶隔膜），适用于矿物质液压油，工作温度范围：-40°C至120°C

Type	Effective Gas vol. Litres	Max. Working pressure (PS) bar	Clamps		Type	Effective Gas vol. Litres	Max. Working pressure (PS) bar	Execution form	Max compression in bar ratio P2/P0	Weight kg	Dimensions in mm					Oilport		
			Model (quantity)	Part number							A max Height	B	SW	D	G	F	H	
DA-140-250ABAF	1.4	250	E160 (1)	20259003648	DA-140-250ABAF	1.4	250	AF	8	8.5	213.1	22	41	158	34	G½	-	-
DA-140-250ABCF	1.4	250	E160 (1)	20259003648	DA-140-250ABCF	1.4	250	CF	8	8.6	226.1	35	41	158	-	G½	M33x1.5	M33
DA-140-350ABAF	1.4	350	E160 (1)	20259003648	DA-140-350ABAF	1.4	350	AF	8	8.5	213.1	22	41	158	34	G½	-	-
DA-140-350ABCF	1.4	350	E160 (1)	20259003648	DA-140-350ABCF	1.4	350	CF	8	8.6	226.1	35	41	158	-	G½	M33x1.5	M33
DA-200-100ABAF	2	100	E160 (1)	20259003648	DA-200-100ABAF	2	100	AF	8	8.15	230	22	41	160	34	G½	-	-
DA-200-250ABAF	2	250	E168 (1)	20251303648	DA-200-250ABAF	2	250	AF	8	9.5	242	22	41	172	33	G¾	-	-
DA-200-350ABAF	2	350	E168 (1)	20251303648	DA-200-350ABAF	2	350	AF	8	9.5	242	22	41	172	33	G¾	-	-
DA-200-350ABCF	2	350	E168 (1)	20251303648	DA-200-350ABCF	2	350	CF	8	9.8	262	42	55	172	-	G¾	M45x1.5	M45
DA-280-250ABAF	2.8	250	E168 (1)	20251303648	DA-280-250ABAF	2.8	250	AF	4	11	268	22	41	172	33	G¾	-	-
DA-280-350ABAF	2.8	350	E168 (1)	20251303648	DA-280-350ABAF	2.8	350	AF	4	11	268	22	41	172	33	G¾	-	-
DA-280-350ABCF	2.8	350	E168 (1)	20251303648	DA-280-350ABCF	2.8	350	CF	4	11.3	288	42	55	172	-	G¾	M45x1.5	M45
DA-350-250ABAF	3.5	250	E168 (1)	20251303648	DA-350-250ABAF	3.5	250	AF	4	12.5	321	22	41	172	33	G¾	-	-
DA-350-350ABAF	3.5	350	E168 (1)	20251303648	DA-350-350ABAF	3.5	350	AF	4	12.5	321	22	41	172	33	G¾	-	-
DA-350-350ABCF	3.5	350	E168 (1)	20251303648	DA-350-350ABCF	3.5	350	CF	4	12.8	341	42	55	172	-	G¾	M45x1.5	M45

以上尺寸单位 mm，未考虑制造公差。

DAK系列及DA系列替换欧洲隔膜蓄能器对照表

Type	NBR	NBR	Type	NBR	NBR
Part number	DAK Series Part number	DA Series Part number	Part number	DAK Series Part number	DA Series Part number
ELM 0.075-250/00/AF 01125 10849201125	DAK-007-25000AF1125P000	DA-007-250ABAF1125	ELM 1.4 - 250/90/AF 01125 11013201125	DAK-140-25090AF1125P000	DA-140-250ABAF1125
ELM 0.16-250/00/AF 01125 10849301125	DAK-016-25000AF1125P000	DA-016-250ABAF1125	ELM 1.4 - 250/90/CF 01125 11013301125	DAK-140-25090CF1125P000	DA-140-250ABCF1125
ELM 0.32-210/00/AF 01125 10986601125	DAK-032-21000AF1125P000	DA-032-210ABAF1125	ELM 1.4 - 350/90/AF 01125 10932101125	DAK-140-35090AF1125P000	DA-140-350ABAF1125
ELM 0.5-210/00/AF 01125 10849501125	DAK-050-21000AF1125P000	DA-050-210ABAF1125	ELM 1.4 - 350/90/CF 01125 10932201125	DAK-140-35090CF1125P000	DA-140-350ABCF1125
ELM 0.5-210/00/CF 01125 10849601125	DAK-050-21000CF1125P000	DA-050-210ABCF1125	ELM 2 - 100/90/AF 01125 10850401125	DAK-200-10090AF1125P000	DA-200-100ABAF1125
ELM 0.75-210/00/AF 01125 10849701125	DAK-075-21000AF1125P000	DA-075-210ABAF1125	ELM 2 - 250/90/AF 01125 11013401125	DAK-200-25090BF1125P000	DA-200-250ABAF1125
ELM 0.75-210/00/CF 01125 10849801125	DAK-075-21000CF1125P000	DA-075-210ABCF1125	ELM 2 - 350/90/AF 01125 11006001125	DAK-200-35090BF1125P000	DA-200-350ABAF1125
ELM 0.75-350/00/AF 01125 10931801125	DAK-075-35000AF1125P000	DA-075-350ABAF1125	ELM 2 - 350/90/CF 01125 11006101125	DAK-200-35090DF1125P000	DA-200-350ABCF1125
ELM 0.75-350/00/CF 01125 10931901125	DAK-075-35000CF1125P000	DA-075-350ABCF1125	ELM 2.8 - 250/90/AF 01125 10887901125	DAK-280-25090BF1125P000	DA-280-250ABAF1125
ELM 1 - 210/00/AF 01125 10984701125	DAK-100-21000AF1125P000	DA-100-210ABAF1125	ELM 2.8 - 350/90/AF 01125 10975801125	DAK-280-35090BF1125P000	DA-280-350ABAF1125
ELM 1 - 210/00/CF 01125 10984801125	DAK-100-21000CF1125P000	DA-100-210ABCF1125	ELM 2.8 - 350/90/CF 01125 10975901125	DAK-280-35090DF1125P000	DA-280-350ABCF1125
ELM 1.4 - 140/90/AF 01125 10850201125	DAK-140-14090AF1125P000	DA-140-210ABAF1125	ELM 3.5 - 250/90/AF 01125 10850501125	DAK-350-25090BF1125P000	DA-350-250ABAF1125
ELM 1.4 - 140/90/CF 01125 10850301125	DAK-140-21090AF1125P000	DA-140-210ABAF1125	ELM 3.5 - 350/90/AF 01125 10984901125	DAK-350-35090BF1125P000	DA-350-350ABAF1125
ELM 1.4 - 210/90/AF 01125 10996501125	DAK-140-21090AF1125P000	DA-140-210ABAF1125	ELM 3.5 - 350/90/CF 01125 10985001125	DAK-350-35090DF1125P000	DA-350-350ABCF1125

以上尺寸单位 mm，未考虑制造公差。

DAK系列及DA系列替换欧洲隔膜蓄能器对照表

Type	ECO	ECO	Type	ECO	ECO
Part number	DAK Series Part number	DA Series Part number	Part number	DAK Series Part number	DA Series Part number
ELM 0.075-250/00/AF 01102 10849201102	DAK-007-25000AF1102P000	DA-007-250ABAF1102	ELM 1.4 - 250/90/AF 01102 11013201102	DAK-140-25090AF1102P000	DA-140-250ABAF1102
ELM 0.16-250/00/AF 01102 10849301102	DAK-016-25000AF1102P000	DA-016-250ABAF1125	ELM 1.4 - 250/90/CF 01102 11013301102	DAK-140-25090CF1102P000	DA-140-250ABCF1102
ELM 0.32-210/00/AF 01102 10986601102	DAK-032-21000AF1102P000	DA-032-210ABAF1102	ELM 1.4 - 350/90/AF 01102 10932101102	DAK-140-35090AF1102P000	DA-140-350ABAF1102
ELM 0.5-210/00/AF 01102 10849501102	DAK-050-21000AF1102P000	DA-050-210ABAF1102	ELM 1.4 - 350/90/CF 01102 10932201102	DAK-140-35090CF1102P000	DA-140-350ABCF1102
ELM 0.5-210/00/CF 01102 10849601102	DAK-050-21000CF1102P000	DA-050-210ABCF1102	ELM 2 - 100/90/AF 01102 10850401102	DAK-200-10090AF1102P000	DA-200-100ABAF1102
ELM 0.75-210/00/AF 01102 10849701102	DAK-075-21000AF1102P000	DA-075-210ABAF1102	ELM 2 - 250/90/AF 01102 11013401102	DAK-200-25090BF1102P000	DA-200-250ABAF1102
ELM 0.75-210/00/CF 01102 10849801102	DAK-075-21000CF1102P000	DA-075-210ABCF1102	ELM 2 - 350/90/AF 01102 11006001102	DAK-200-35090BF1102P000	DA-200-350ABAF1102
ELM 0.75-350/00/AF 01102 10931801102	DAK-075-35000AF1102P000	DA-075-350ABAF1102	ELM 2 - 350/90/CF 01102 11006101102	DAK-200-35090DF1102P000	DA-200-350ABCF1102
ELM 0.75-350/00/CF 01102 10931901102	DAK-075-35000CF1102P000	DA-075-350ABCF1102	ELM 2.8 - 250/90/AF 01102 10887901102	DAK-280-25090BF1102P000	DA-280-250ABAF1102
ELM 1 - 210/00/AF 01102 10984701102	DAK-100-21000AF1102P000	DA-100-210ABAF1102	ELM 2.8 - 350/90/AF 01102 10975801102	DAK-280-35090BF1102P000	DA-280-350ABAF1102
ELM 1 - 210/00/CF 01102 10984801102	DAK-100-21000CF1102P000	DA-100-210ABCF1102	ELM 2.8 - 350/90/CF 01102 10975901102	DAK-280-35090DF1102P000	DA-280-350ABCF1102
ELM 1.4 - 140/90/AF 01102 10850201102	DAK-140-14090AF1102P000	DA-140-210ABAF1102	ELM 3.5 - 250/90/AF 01102 10850501102	DAK-350-25090BF1102P000	DA-350-250ABAF1102
ELM 1.4 - 140/90/CF 01102 10850301125	DAK-140-21090CF1102P000	DA-140-210ABCF1102	ELM 3.5 - 350/90/AF 01102 10984901102	DAK-350-35090BF1102P000	DA-350-350ABAF1102
ELM 1.4 - 210/90/AF 01102 10996501102	DAK-140-21090AF1102P000	DA-140-210ABAF1102	ELM 3.5 - 350/90/CF 01102 10985001102	DAK-350-35090DF1102P000	DA-350-350ABCF1102

以上尺寸单位 mm，未考虑制造公差。